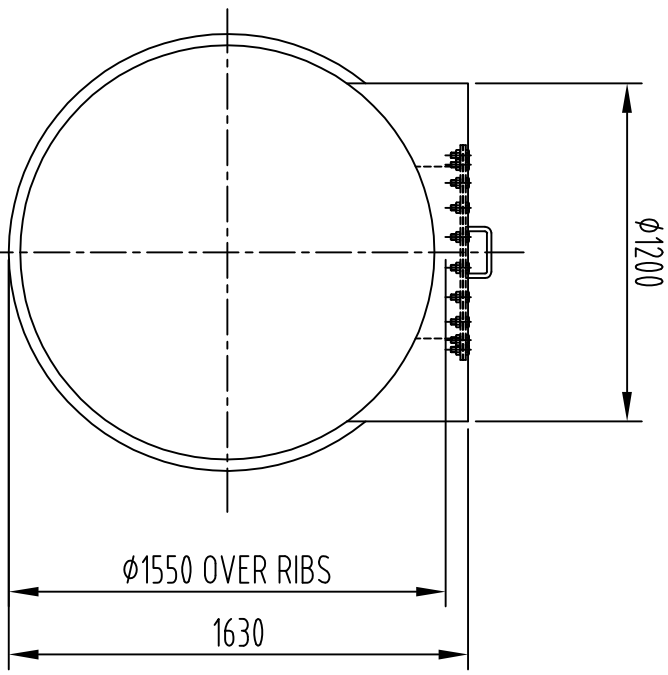
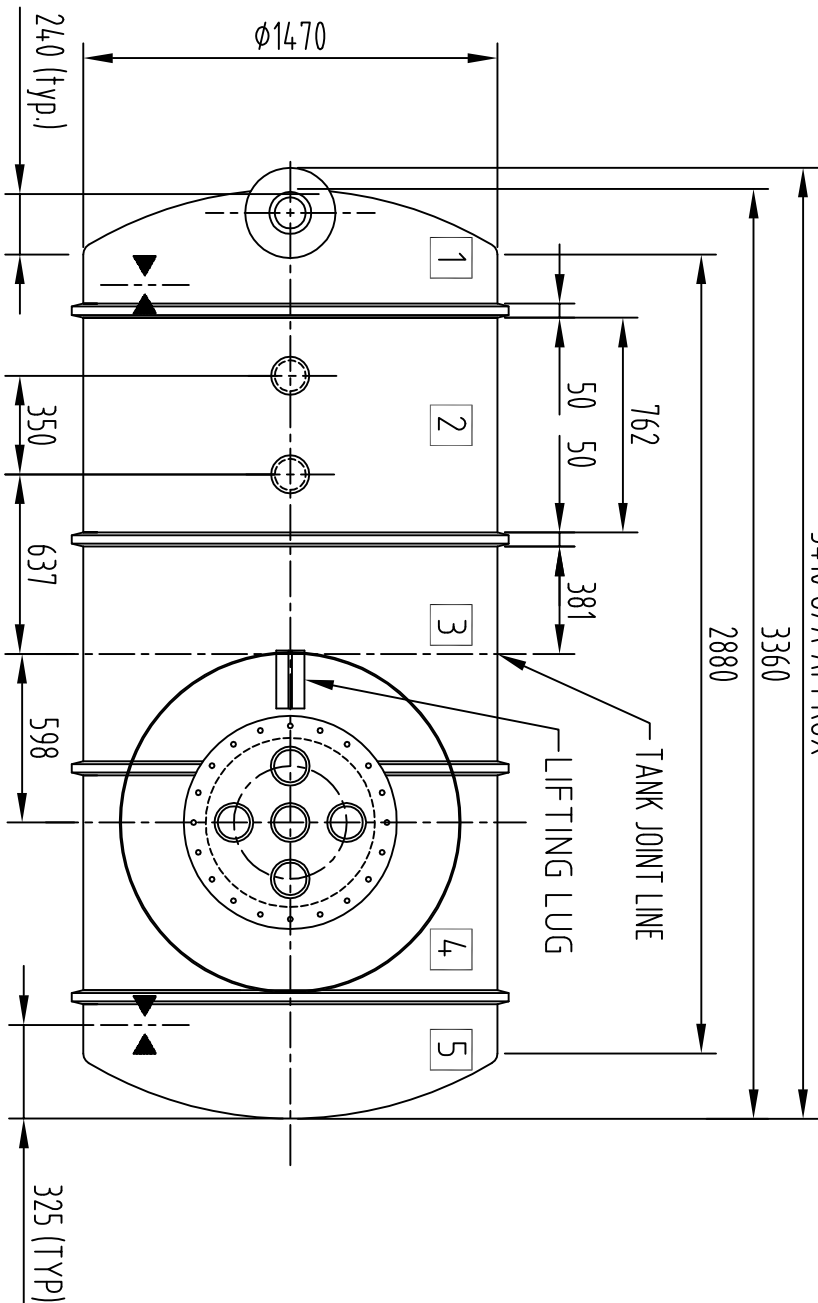


3410 O/A APPROX



▶▶ HOLD DOWN STRAP LOCATION

\* FITTINGS CANNOT BE INSTALLED IN THESE LOCATIONS

FITTING SCHEDULE		FIBRETANK SYSTEMS Pty Ltd	
QTY	DESCRIPTION	Notes	Revision Details
4	600NB MANHOLE	- Tie-Down Straps to suit this tank are part no.	C END ELEVATION ADDED - DOME 1 WAS DOME 2
2	100NB SOCKET	- Dedmen to suit this tank are part no.	B O/A DIM UPDATED
2	100NB MONITOR	- UNQ, all sockets are BSP and are c/w striker plates under.	A Original Issue
1	100NB INTERSTICE MONITOR SOCKET		V.B.B. 20-09-02
	FLAT No.	SIZE	ITEM
DRAWN: V.B.B.		App. Weight:	430 kg
DATE: 24/07/2000		App. Capacity:	5,300 L
Construction		Type	Compartment Configuration
DOUBLE WALL		TYPES	SINGLE
DRAWING NUMBER:		FD 005000-000	
REVISION:		C	

The contractor shall provide Fibreglass Reinforced Plastic (FRP) underground storage tanks as illustrated. Sizes & fittings shall be as noted. The tanks shall be "Century-Cast" tanks as manufactured by Fibretank Systems. Tanks shall be tested & installed as per current specifications and instructions.

All dimensions in millimetres. All dimensions are nominal unless a manufacturing tolerance has been specified.

THIS DRAWING & THE INFORMATION CONTAINED HEREIN IS THE PROPERTY OF FIBRE TANK SYSTEMS AND STRICTLY CONFIDENTIAL & MUST NOT BE USED OR DISCLOSED WITHOUT WRITTEN CONSENT OF FIBRETANK SYSTEMS PTY LIMITED

FIBRETANK SYSTEMS Pty Limited  
 PO BOX 102  
 CARRINGTON, NSW 2294  
 Ph:(02)4961-2745 Fax:(02)4962-2812