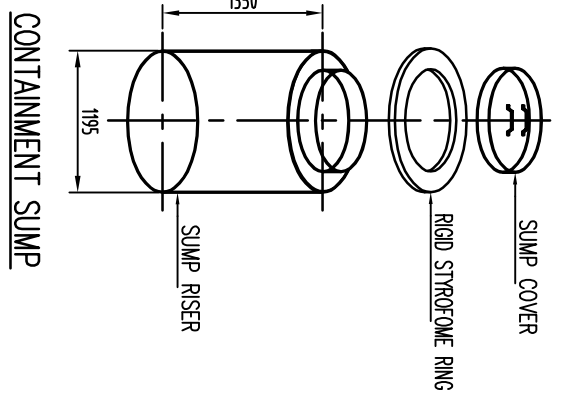
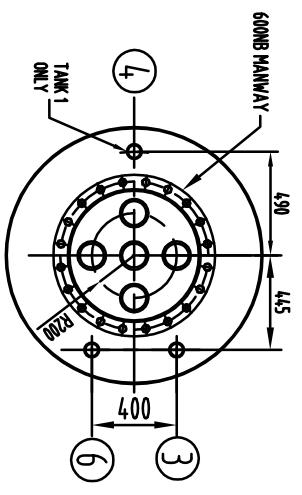


DESIGN DATA
 DESIGN CODE AS1210
 DESIGN PRESSURE 150kPa
 DESIGN TEMP 50°C
 OPERATING PRESSURE 150kPa
 HYDRO TEST PRESSURE 225kPa
 CLASSIFICATION CLASS 3

MATERIALS
 SHELL (6mm) AS3678 GRADE 250
 HEADS(8mm) AS3678 GRADE 250
 MANHOLE AS3678 GRADE 250

No.	REVISION DETAILS	BY	DATE
F			
E			
D			
C			
B			
A	ORIGINAL ISSUE		

CLIENT: ENERGY POWER SYSTEMS Pty Ltd	
DRAWN: TAH	DATE: 15-11-07
CHECKED:	DATE:
APPROVED:	DATE:
ORDER No:	No OFF: ONE (1)
SCALE: 1:30	CAD REF: JG-GST-DC-P
All tolerancing to be to the applicable design code of manufacture, and/or client requirement.	
Dimension in millimetres	
JOB No: N/A	
SHEET: 1 of 1	
REVISION: A	



ITEM	QTY	DESCRIPTION	PART / SUB ASSM No.
7	2	LIFTING LUG - 2 TONNE (DIAGONALLY OPPOSITE)	-
6	2	50NB 3000# COUPLING C/W INTERNAL PIPE (RETURN)	-
5	2	60NB MACHINED FACE MANHOLE C/W 5 x 80NB 300# COUPLINGS	-
4	1	50NB 3000# COUPLING C/W INTERNAL PIPE (INTERSTITE MONITOR)	-
3	2	50NB 3000# COUPLING C/W INTERNAL PIPE (DIP)	-
2	2	80NB 3000# COUPLING C/W INTERNAL PIPE (FILL)	-
1	4	80NB 3000# COUPLING (VENT / SPARE)	-

FIBRETEK SYSTEMS
 PTY LIMITED
 THIS DRAWING & THE INFORMATION CONTAINED HEREIN IS THE PROPERTY OF FIBRETEK SYSTEMS AND IS STRICTLY CONFIDENTIAL & MUST NOT BE USED OR DISCLOSED WITHOUT WRITTEN CONSENT OF STP GROUP PTY LTD

TITLE: GENERAL ARRANGEMENT T20 CLASS 3
 GLASTEEL II DUAL COMPARTMENT VESSEL
 ESTIMATE NUMBER: N/A
 DRAWING NUMBER: JG 020000-000
 SHEET SIZE: A3