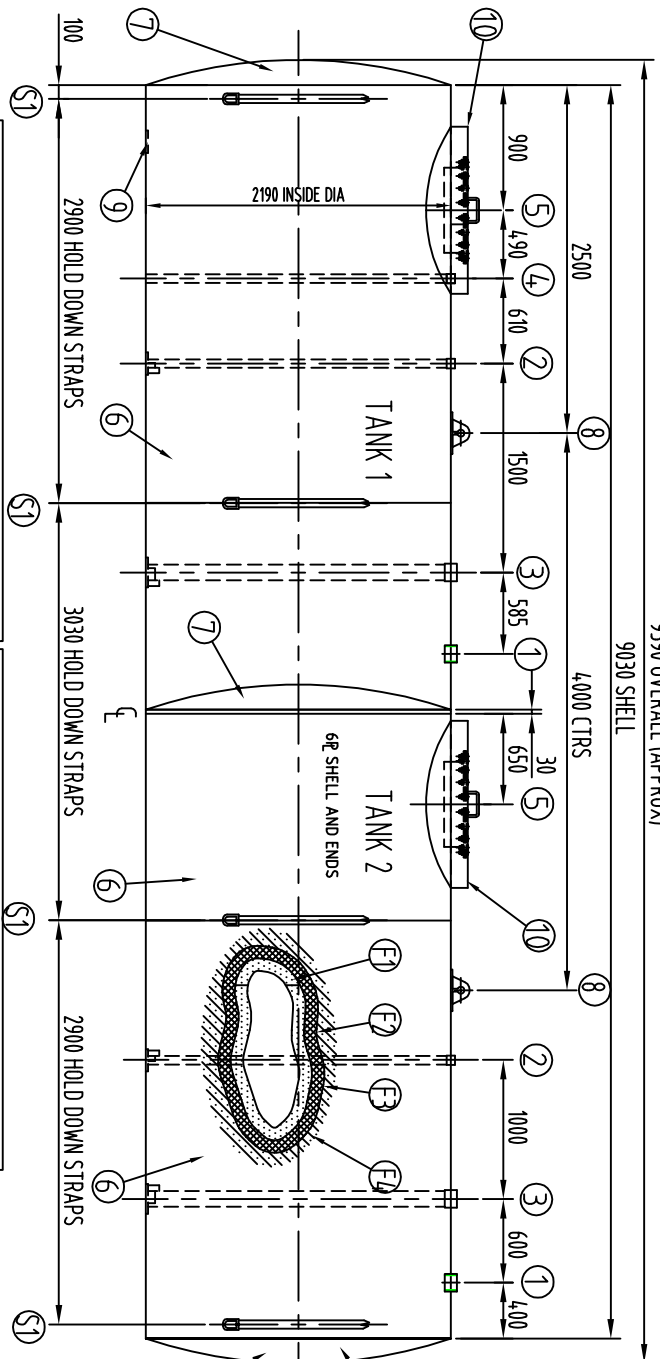


9390 OVERALL (APPROX)

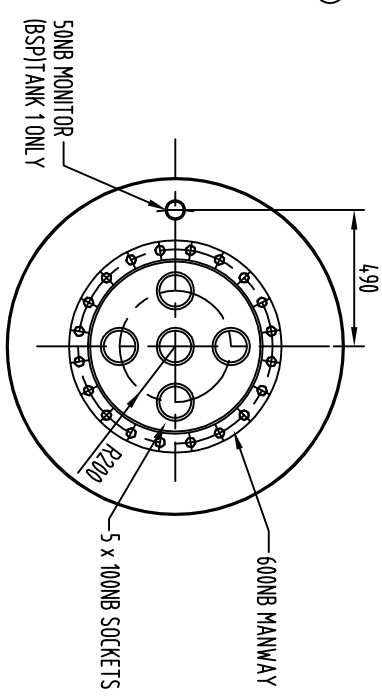
9030 SHELL

4000 CTRS



TANK 1 VOLUME = 16,950 LITRES APPROX

TANK 2 VOLUME = 17,630 LITRES APPROX



PLAN VIEW ON MANWAY

ITEM	DESCRIPTION	WEIGHT
F5	RUST RED FLOWCOAT	-
F4	GLASS OWENNS CORNINS 360 RR	-
F3	CATALYST	-
F2	AROPOL 7241 PC/PW	-
F1	STAND OFF MATERIAL	-

**FIBREGLOSS**

NOTE:

1. VACUUM ON INTERSTITIAL SPACE IS FACTORY SET & GAUGE SET
2. INSTALLATION TO BE IN ACCORDANCE WITH PERMATANK INSTALLATION INSTRUCTIONS AND AS1940
3. VESSEL IDENTIFICATION No. & MANUFACTURE DATE ARE LAMINATED TO TOP OF VESSEL
4. VESSEL MANUFACTURED TO AS1692
5. FIT DUST CAPS TO ALL OPENINGS
6. HOLD DOWN STRAPS POSITION ARE TO BE MARKED ON VESSEL DURING MANUFACTURING
7. INNER TANK TESTED TO AS1692, 35 MPa AIR
8. 6mm STRIKER PLATES TO BE FITTED UNDER ALL OPENINGS
9. ALL WELDS AS PER AS1554, 1-GP (IND.T. - VISUAL)
10. INTERSTITIAL SPACE - VACUUM TESTED TO 630mm VACUUM
11. PLASTIC LIFTING LUG COVERS SUPPLIED WITH VESSEL
12. VOLUME = 34,580 L (APPROX)
13. WEIGHT OF TANK = 3,500 kg (APPROX)

No.	REVISION DETAILS	BY	DATE
F			
E			
D			
C			
B			
A	ORIGINAL ISSUE		

CLIENT:		FTS STD	
DRAWN: V.B.B.		DATE: 23-09-02	
CHECKED:		DATE:	
APPROVED:		DATE:	
ORDER No:		No OFF: ONE (1)	
SCALE: 1:40		CAD REF: JACKETED	
Dimension in millimetres to the applicable design code of manufacture, and/or client requirement.			
JOB No:	ESTIMATE NUMBER:	DRAWING NUMBER:	SHEET: 1 of 1
	N/A	JG 030000-000	REVISION: A
			A3

ST	DESCRIPTION	QTY	PART / SUB ASSM No.
S1	HOLD DOWN STRAPS	4	015001
	VACUUM MONITOR GAUGE	1	006137, 0077111, 017160
	LIFTING LUG COVERS	2	015071
	DIPSTICK TO SUIT SPLIT 30	2	SUB1066
	ACCESSORIES		

ITEM	DESCRIPTION	PART / SUB ASSM No.
10	1 FRP COLLAR	SUB10228
9	1 STRIKER PLATE	SUB10427
8	2 LIFTING LUG - 2 TONNE C/W DOUBLER PAD	SUB10775
7	3 END Ø2190 ID x 6 PLATE	SUB10004
6	3 SHELL Ø2190 ID x 6 PLATE x 3000 LONG	SUB10336
5	2 600NB MANWAY C/W 5 x 100NB SOCKETS	SUB10995
4	1 50NB MONITOR SOCKET C/W INTERNAL PIPE	SUB10660
3	2 100NB FILL SOCKET C/W PIPE	SUB10556
2	2 50NB DIP SOCKET C/W PIPE	SUB10550
1	2 100NB PHOENIX FLANGE	006395

FIBRETANK SYSTEMS  
PTY LIMITED

PO BOX 102  
CARRINGTON N.S.W. 2294  
PHONE (02) 4961-2745  
FAX: (02) 4962-2812

THIS DRAWING & THE INFORMATION CONTAINED HEREIN IS THE PROPERTY OF FIBRETANK SYSTEMS AND IS STRICTLY CONFIDENTIAL & MUST NOT BE USED OR DISCLOSED WITHOUT WRITTEN CONSENT OF FIBRETANK SYSTEMS Pty LIMITED

TITLE: GENERAL ARRANGEMENT T30 SPLIT 15/15  
GLASTEEL II U/G STORAGE VESSEL (6mm SHELL)