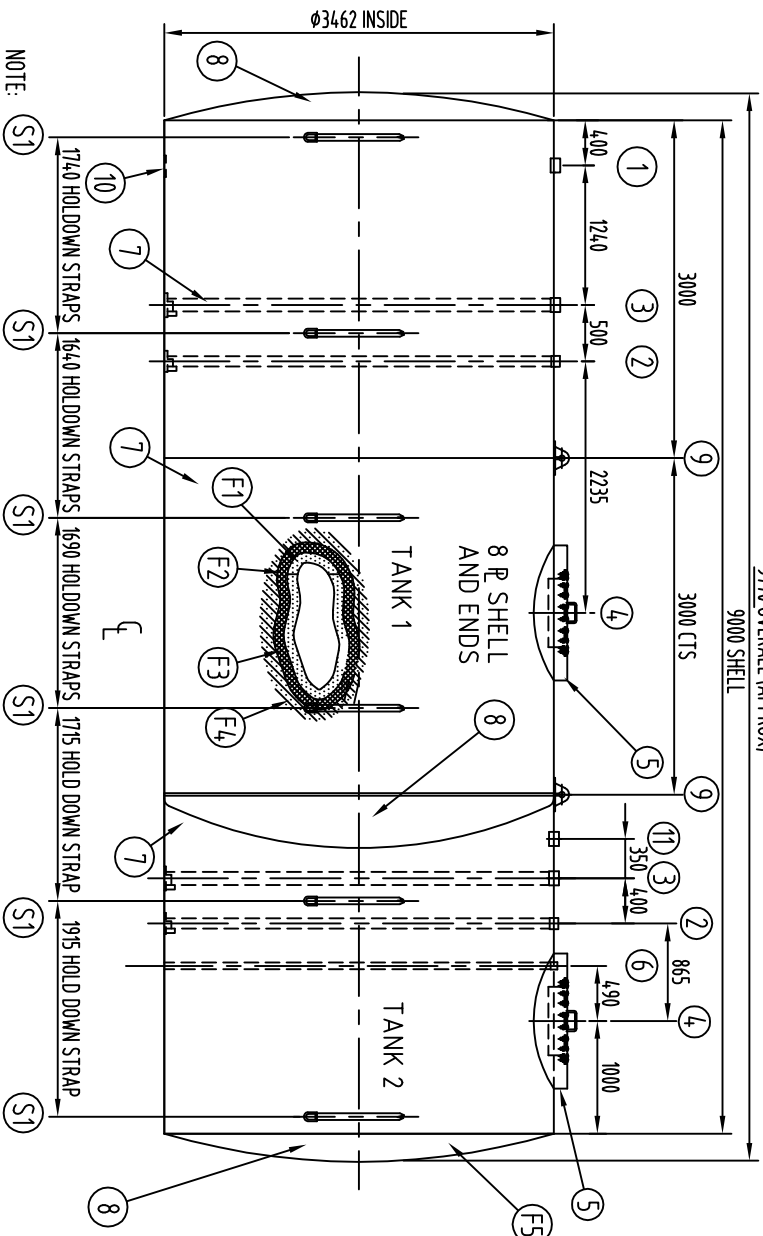
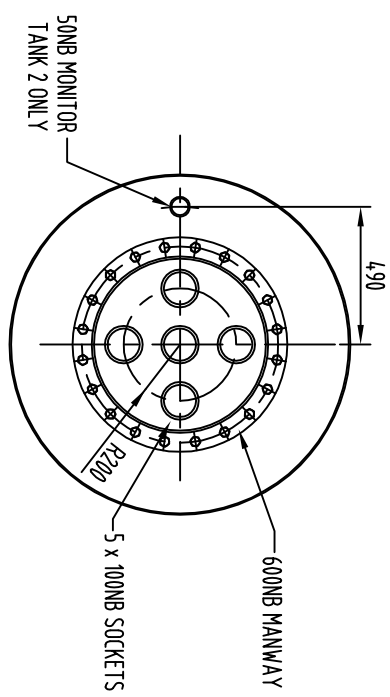


9170 OVERALL (APPROX)

9000 SHELL



TANK 1 APPROX VOLUME = 62,000 LITRES
 TANK 2 APPROX VOLUME = 28,000 LITRES



PLAN VIEW ON MANWAY

ITEM	QTY	DESCRIPTION	PART / SUB ASSM No.
S1	6	TOP TIE DOWN STRAPS	-
	1	VACUUM MONITOR GAUGE	006137, 017711, 017160
	2	LIFTING LUG COVERS	015071
	2	DIPSTICK SPECIAL	SUB1022
		ACCESSORIES	PART / SUB ASSM No.

- NOTE:
- VACUUM ON INTERSTITIAL SPACE IS FACTORY SET & GAUGE SET
 - INSTALLATION AS PER GLASTEEL II INSTALLATION INSTRUCTIONS & APPLICABLE CODES
 - VESSEL IDENTIFICATION No. & MANUFACTURE DATE ARE LAMINATED TO TOP OF VESSEL
 - VESSEL MANUFACTURED TO AS1692 AND AIR TESTED TO 35 kPa
 - PLASTIC LIFTING LUG COVERS SUPPLIED WITH VESSEL
 - HOLD DOWN STRAPS POSITION ARE TO BE MARKED ON VESSEL DURING MANUFACTURING
 - ALL SOCKETS TO BE CLEANED AND FITTED WITH PLASTIC DUST CAPS
 - 6mm STRIKER PLATES TO BE FITTED UNDER ALL OPENINGS
 - 9: ALL WELDS AS PER AS1554, 1-GP (N.D.T. - VISUAL)
 - 10: VOLUME = 90,000 L (APPROX)
 - 11: WEIGHT OF TANK = 8500 kg (APPROX)

No.	REVISION DETAILS	BY	DATE	CLIENT:
F				FTS STD
E				DRAWN: R.BASILE
D				CHECKED:
C				APPROVED:
B	NOZ 1 WAS PHOENIX FLANGE, NOZ 6 WAS NPT	TAH	25-2-08	ORDER No:
A	ORIGINAL ISSUE			SCALE: N.T.S.

ITEM	QTY	DESCRIPTION	PART / SUB ASSM No.
11	1	100NB BSP SOCKET - *** VENT ONLY ***	006395
10	1	STRIKER PLATE	SUB1047
9	2	LIFTING LUG - 5 TONNE C/W DOUBLER PAD	SUB1076
8	3	END SLIP IN 3462 ID x 8 PLATE	SUB1017
7	3	SHELL 3462 ID x 8 PLATE x 3000 LONG	SUB1041
6	1	50NB BSP MONITOR SOCKET C/W INTERNAL PIPE	SUB1083
5	2	FRP COLLAR	SUB1028
4	2	600NB MANWAY C/W 5 x 100NB SOCKETS	SUB1095
3	2	100NB FILL SOCKET C/W PIPE	SUB1058
2	2	100NB DIP SOCKET C/W PIPE	SUB1053
1	1	100NB BSP SOCKET	006395

TITLE: GENERAL ARRANGEMENT T90 SPLIT (60/30)
 GLASTEEL II U/G STORAGE VESSEL (8mm SHELL)

ESTIMATE NUMBER: N/A
 DRAWING NUMBER: JG 090000-000

JOB No.: SHEET: 1 of 1 REVISION: B

VESSEL CLASS: N/A
 SHEET SIZE: A3

CLIENT: FTS STD
 DATE: 21-05-03

PO BOX 102
 CARRINGTON N.S.W. 2294
 PHONE (02) 4961-2745
 FAX (02) 4962-2812

THIS DRAWING & THE INFORMATION CONTAINED HEREIN IS THE PROPERTY OF FIBRETANK SYSTEMS AND IS STRICTLY CONFIDENTIAL & MUST NOT BE USED OR DISCLOSED WITHOUT WRITTEN CONSENT OF FIBRETANK SYSTEMS Pty LIMITED