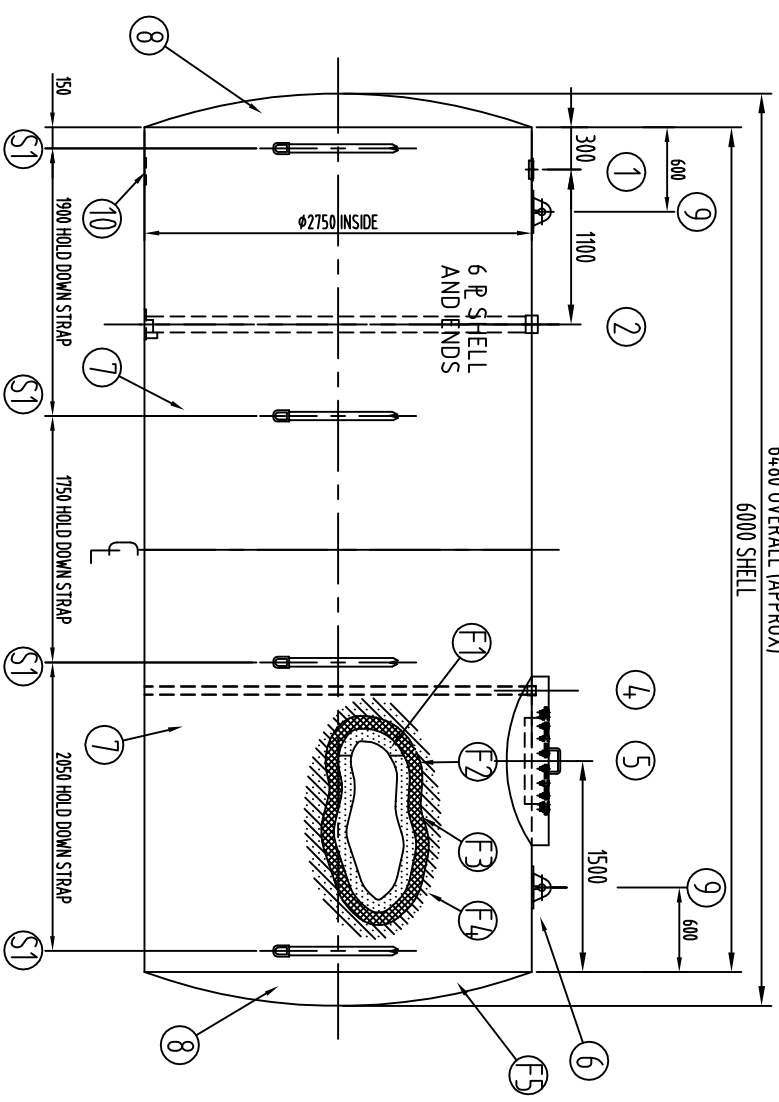


6480 OVERALL (APPROX)  
6000 SHELL

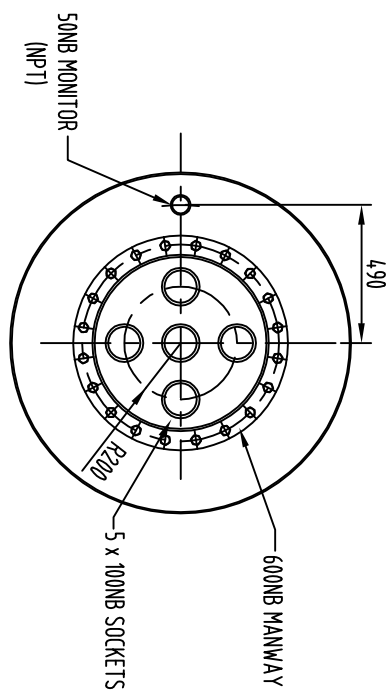


- NOTE:
- VACUUM ON INTERSTITIAL SPACE IS FACTORY SET & GAUGE SET
  - INSTALLATION TO BE IN ACCORDANCE WITH PERMATANK INSTALLATION INSTRUCTIONS AND AS1940
  - VESSEL IDENTIFICATION No & MANUFACTURE DATE ARE LAMINATED TO TOP OF VESSEL
  - VESSEL MANUFACTURED TO AS1692
  - FIT DUST CAPS TO ALL OPENINGS
  - HOLD DOWN STRAPS POSITION ARE TO BE MARKED ON VESSEL DURING MANUFACTURING
  - INNER TANK TESTED TO AS1692, 35 kPa AIR
  - 6mm STRIKER PLATES TO BE FITTED UNDER ALL OPENINGS
  - ALL WELDS AS PER AS1554.1-GP (IND.T. - VISUAL)
  - INTERSTITIAL SPACE - VACUUM TESTED TO 630mm VACUUM
  - PLASTIC LIFTING LUG (COVERS SUPPLIED WITH VESSEL
  - VOLUME = 37,060 L (APPROX)
  - WEIGHT OF TANK = 3,425 kg (APPROX)

No.	REVISION DETAILS	BY	DATE
A	ORIGINAL ISSUE		
B			
C			
D			
E			
F			

CLIENT:		-	
DRAWN:	V.B.B.	DATE:	31-05-01
CHECKED:		DATE:	
APPROVED:		DATE:	
ORDER No:		No OFF:	ONE (1)
SCALE:	N.T.S.	CAD REF:	JW-GST-SC-P

ITEM	DESCRIPTION	WEIGHT
F5	RUST RED FLOWCOAT	-
F4	GLASS OWENN'S CORNINS 360 RR	-
F3	CATALYST	-
F2	AROPOL 7241 PS/PW	-
F1	STAND OFF MATERIAL	-



PLAN VIEW ON MANWAY

ITEM	DESCRIPTION	QTY	PART / SUB ASSM No.
S1	HOLD DOWN STRAP	4	015002
	VACUUM MONITOR GAUGE	1	006137, 017111, 017160
	LIFTING LUG COVERS	2	015071
	DIPSTICK 135	1	SUB1067
	ACCESSORIES		

ITEM	DESCRIPTION	QTY	PART / SUB ASSM No.
10	1 STRIKER PLATE	1	SUB104.7
9	2 LIFTING LUG - 5 TONNE C/W DOUBLER PAD	2	SUB1076
8	2 END SLIP IN 2750 LD x 6 PLATE	2	SUB1015
7	3 SHELL 2750 LD x 6 PLATE x 3000 LONG	3	SUB1039
6	1 FRP COLLAR	1	SUB1028
5	1 600NB MANWAY C/W 5 x 100NB SOCKETS	1	SUB1095
4	1 50NB (NPT) MONITOR SOCKET C/W INTERNAL PIPE	1	SUB1060
3	1 100NB DIP SOCKET C/W PIPE	1	SUB1052
2	1 100NB PHOENIX FLANGE	1	006395

FIBRETEK SYSTEMS  
PTY LIMITED

PO BOX 102  
CARINGTON N.S.W. 2294  
PHONE (02) 4961-2745  
FAX (02) 4962-2812

THIS DRAWING & THE INFORMATION CONTAINED HEREIN IS THE PROPERTY OF FIBRETEK SYSTEMS AND IS STRICTLY CONFIDENTIAL & MUST NOT BE USED OR DISCLOSED WITHOUT WRITTEN CONSENT OF FIBRETEK SYSTEMS Pty LIMITED

TITLE: 35,000 L GLASTEEL II - QLD NEWSPAPERS  
FOR TANK SOLUTIONS Pty Ltd

ESTIMATE NUMBER: N/A  
DRAWING NUMBER: JW 035000-001

JOB No: SHEET: 1 of 1 REVISION: A3