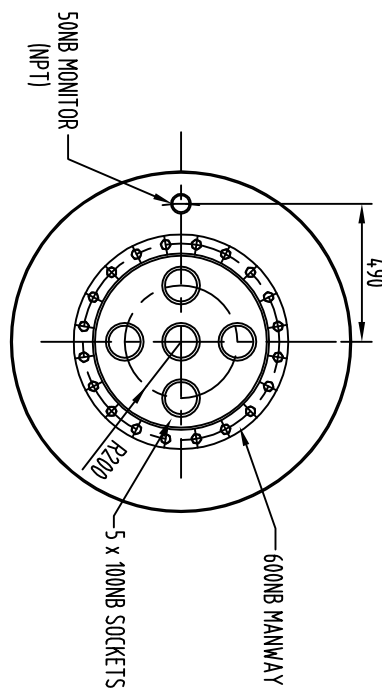
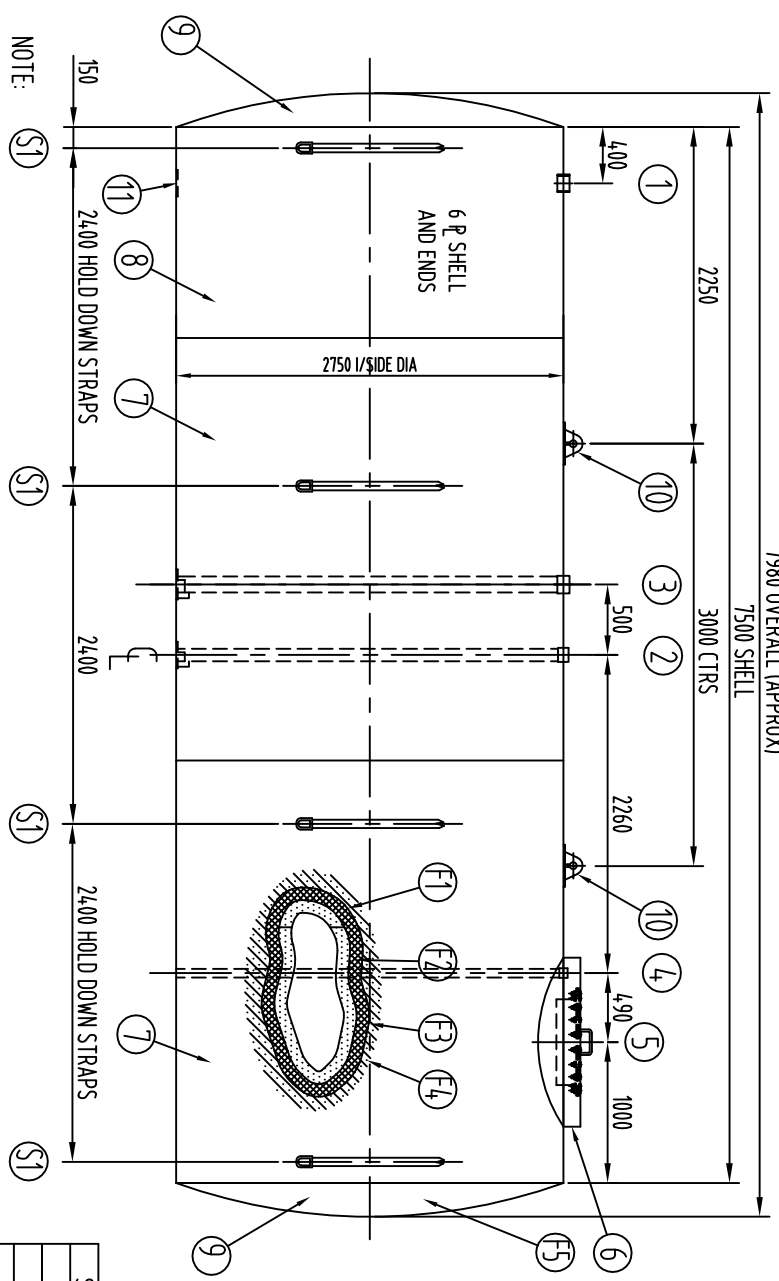


7980 OVERALL (APPROX)



PLAN VIEW ON MANWAY

ITEM	DESCRIPTION	WEIGHT
F5	RUST RED FLOWCOAT	-
F4	GLASS OWENN'S CORNINS 360 RR	-
F3	CATALYST	-
F2	AROPOL 7241PS/PW	-
F1	STAND OFF MATERIAL	-

FIBREGLASS

- NOTE:
- VACUUM ON INTERSTITIAL SPACE IS FACTORY SET & GAUGE SET
 - INSTALLATION AS PER GLASTEEL II INSTALLATION INSTRUCTIONS & APPLICABLE CODES
 - VESSEL IDENTIFICATION No. & MANUFACTURE DATE ARE LAMINATED TO TOP OF VESSEL
 - VESSEL MANUFACTURED TO AS1692
 - PLASTIC LIFTING LUG COVERS SUPPLIED WITH VESSEL
 - HOLD DOWN STRAPS POSITION ARE TO BE MARKED ON VESSEL DURING MANUFACTURING
 - ALL SOCKETS TO BE CLEANED AND FITTED WITH PLASTIC DUST CAPS
 - 6mm STRIKER PLATES TO BE FITTED UNDER ALL OPENINGS
 - ALL WELDS AS PER AS1554.1-GP (N.D.T. - VISUAL)
 - VOLUME = 46,000 L (APPROX)
 - WEIGHT OF TANK = 4,100 kg (APPROX)

No.	REVISION DETAILS	BY	DATE
A	ORIGINAL ISSUE		

ITEM	QTY	DESCRIPTION	PART / SUB ASSM No.
S1	4	HOLD DOWN STRAPS	SUB 1047
	1	VACUUM MONITOR	SUB1076
	2	LIFTING LUG COVER	SUB1075
	1	DIPSTICK 140	SUB1068
	1	ACCESSORIES	PART / SUB ASSM No.
11	1	STRIKER PLATE	SUB 1047
10	2	LIFTING LUG - 5 TONNE C/W DOUBLER PAD	SUB1076
9	2	END SLIP IN 2750 ID x 6 PLATE	SUB1075
8	1	SHELL: 2750 ID x 6 PL x 1500 LONG	SUB 1260
7	2	SHELL 2750 ID x 6 PLATE x 3000 LONG	SUB1039
6	1	FRP COLLAR	SUB1028
5	1	600NB MANWAY C/W 5 x 100NB SOCKETS	SUB1095
4	1	50NB (NPT) MONITOR SOCKET C/W INTERNAL PIPE	SUB1060
3	1	100NB FILL SOCKET C/W PIPE	SUB1057
2	1	80NB DIP SOCKET C/W PIPE	SUB1052
1	1	100NB BLACK STEEL SOCKET	-

CLIENT: FTS STD
 DRAWN: V.B.B. DATE: 11-07-01
 CHECKED: DATE:
 APPROVED: DATE:
 ORDER No: No OFF: ONE (1)
 SCALE: N.T.S. CAD REF: JW-GST-SC-1

TITLE: GENERAL ARRANGEMENT T40
 GLASTEEL II U/G STORAGE VESSEL (6mm SHELL)

ESTIMATE NUMBER: N/A
 DRAWING NUMBER: JW 040000-000

JOB No: SHEET: 1 of 1 REVISION: A

VESEL CLASS N/A
 SHEET SIZE A3

PO BOX 102
 CARINGTON N.S.W. 2294
 PHONE (02) 4961-2745
 FAX (02) 4962-2812

THIS DRAWING & THE INFORMATION CONTAINED HEREIN IS THE PROPERTY OF FIBRETEK SYSTEMS AND IS STRICTLY CONFIDENTIAL & MUST NOT BE USED OR DISCLOSED WITHOUT WRITTEN CONSENT OF FIBRETEK SYSTEMS Pty LIMITED