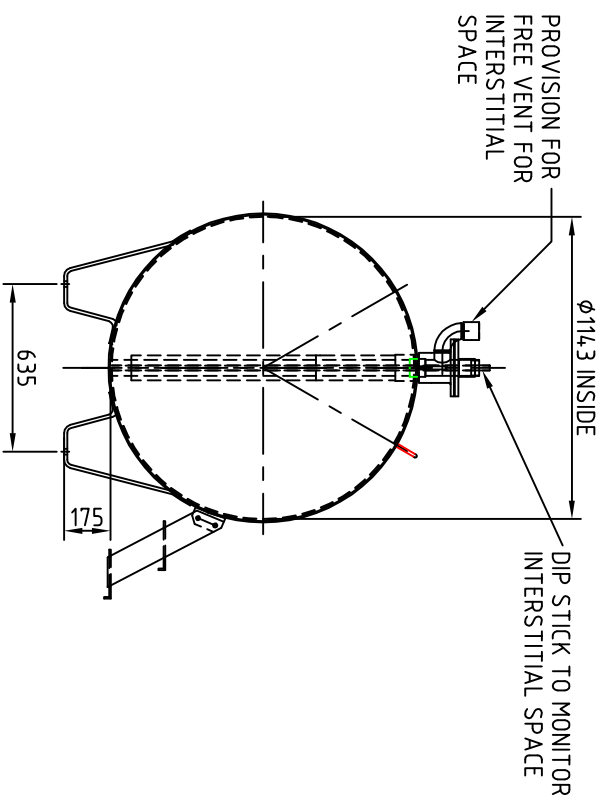


CALIBRATED DIP STICK



NOTE:
 1: VESSEL IS MANUFACTURED TO AS1692 AND AIR TESTED TO 35kPa
 2: REFER TO DWG SUB-1044 FOR KEG DETAILS

3: SURFACE FINISH
 INTERNAL - CLEAN AND DRY
 EXTERNAL - BRUSH BLAST
 - 150um AMERLOCK 400 (SILVER)
 5: MATERIAL
 SHELL 5mm AS3678 Gr.250
 ENDS 5mm AS3678 Gr.250

No.	REVISION DETAILS	BY	DATE
A	ORIGINAL ISSUE		
B	DIP STICKS & VENT ADDED OVER FILL UPDATED	V.B.	13-2-02
C			
D			
E			
F			

CLIENT:	FTS STD
DRAWN:	V.B.B.
CHECKED:	
APPROVED:	
ORDER No:	
SCALE:	1:
CAD REF:	SW-Steel-Wrap
DATE:	29-01-02
DATE:	
DATE:	
NO OFF:	ONE (1)

TITLE:	GENERAL ARRANGEMENT T2 DOUBLE WALL (WRAPPED) VESSEL
ESTIMATE NUMBER:	N/A
DRAWING NUMBER:	SW 002000-001
JOB No:	
SHEET:	1 of 1
REVISION:	B
SHEET SIZE	A3

ITEM	QTY	DESCRIPTION	SIZE	SCH	TYPE	REMARKS
1	1	DIP	50NB	-	SOCKET	C/W INTERNAL PIPE and CALIBRATED DIP STICK
2	1	LOW LEVEL SWITCH	50NB	-	SOCKET	* SUPPLIED BY CUSTOMER *
3	1	FILL	50NB	-	SOCKET	C/W OVER FILL PROTECTION VALVE (OPW 61-S0G)
4	1	HIGH LEVEL SWITCH	50NB	-	SOCKET	* SUPPLIED BY CUSTOMER *
5	1	VENT	50NB	-	SOCKET	
6	1	INTERSTICE MONITOR/VENT	50NB	-	SOCKET	C/W INTERNAL PIPE and DIP STICK
7	1	SUCTION	50NB	-	SOCKET	

PO BOX 102
 CARINGTON N.S.W. 2294
 PHONE (02) 4961-2745
 FAX (02) 4962-2812

THIS DRAWING & THE INFORMATION CONTAINED HEREIN IS THE PROPERTY OF FIBRETANK SYSTEMS AND IS STRICTLY CONFIDENTIAL & MUST NOT BE USED OR DISCLOSED WITHOUT WRITTEN CONSENT OF FIBRETANK SYSTEMS Pty LIMITED