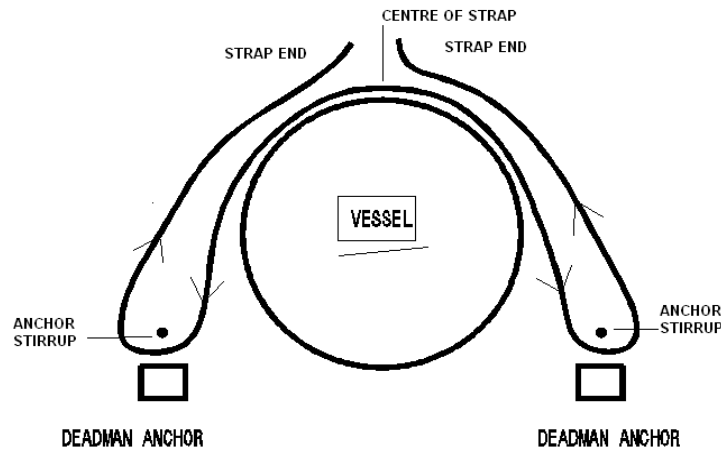


## Installation Instructions

F 955 Rev B

### STEP 1 (Locating the Strap)



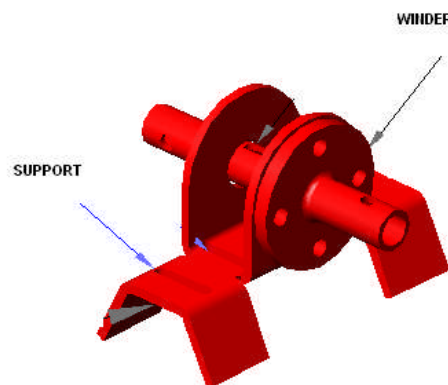
#### METHOD

- Find the centre of the length of strap provided.
- Place the centre of strap on top centre of tank.
- Pull ends through anchor stirrups from inside to outside.
- Lift ends to top of tank and secure.

#### NOTE:

When installing an FRP tank, the straps are to be located on the rib in the guides supplied.

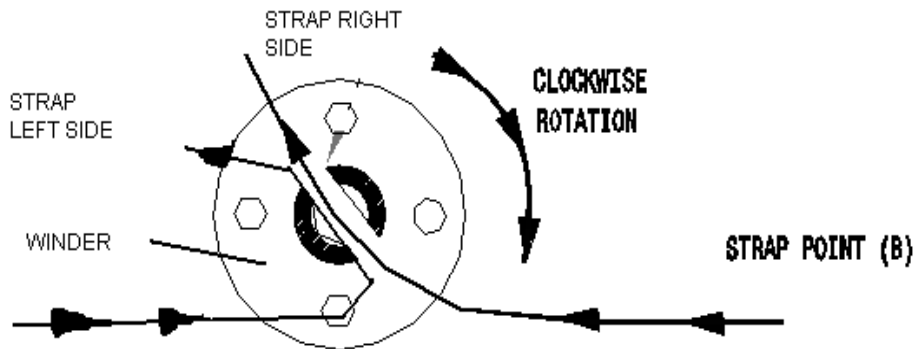
### STEP 2 (Locating the Binder)



#### METHOD

- Place the binder on the top centre line of the vessel
- Ensure that the strap is under the binder (this helps to protect the vessel)
- Pull the two loose ends of the strap over the binder so they are of equal length

## STEP 3 (Tensioning the Strap Using the Winding Mechanism)



### METHOD

- Leave enough slack in the straps to achieve four (4) rotations of the winder (approx 500mm).
- Place both ends of the straps together through the slot in the winder shaft.
- Wind the straps clockwise onto the shaft using a bar, heavy screwdriver etc to achieve four (4) winds. Use the tightening holes provided in the shaft.
- Tension the strap to align holes in the winder and the base support, while keeping tension on the strap insert bolt supplied and tighten nut.