

Tank Accessories

F 960 Rev B

LEAK DETECTION

Depending on your requirement, FTS offer leak detection systems, both electronic or manual (hydrostatic DWII only). Please note that all available leak detection systems available in the retail petroleum market are compatible with all types and models of FTS Tanks. For further information on hydrostatic leak detection systems please refer to the FTS Hydrostatic Monitoring for FRP Double Wall Tank Tech Data Sheet.

CONCRETE ANCHORS

Concrete anchors (deadman) are recommended to ensure complete adherence to FTS installation guidelines.

RISER COVER

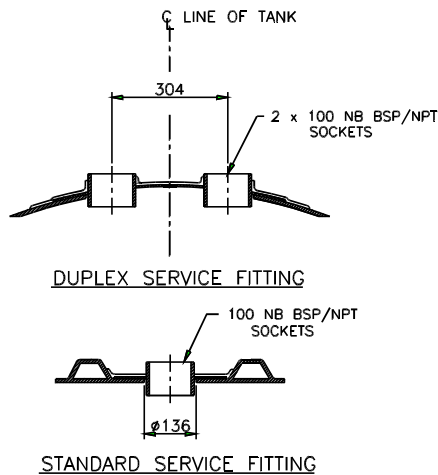
For those installations that have a high water table, to ensure the riser pit is maintained dry, FTS offer high density polyethylene water tight riser lids and clamps which are attached to our standard FRP collar/riser.

TOP DOWN INSTALLATION

FTS offers the 'top-down' strapping method, which is suitable for both Single Wall and Double Wall Fibreglass tanks. This method of installation reduces time on site and reduces excavation shoring costs by eliminating bottom connection of hold down straps.

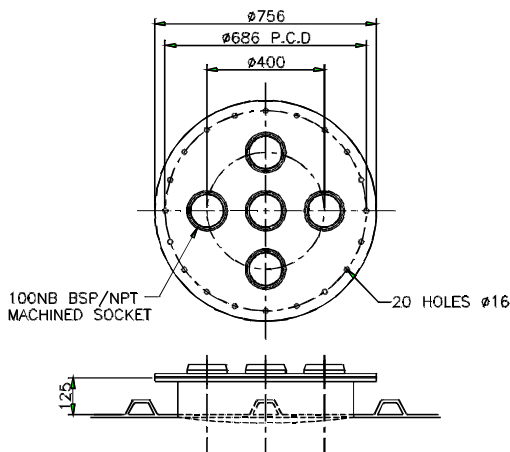
STEEL B.S.P. FITTINGS

Steel B.S.P. fittings are available in 50mm, 100mm and 150mm full sockets. Two 50mm or 100mm fittings may be located between the same two ribs perpendicular to the centreline of the tank. All other fittings are located on the vertical centreline of the tank, any deviation will void the U.L. Label.



FIBREGLASS FLANGED MANHOLES

Manholes can be located centrally over any of the ribs except for the end ribs, lifting lugs or hold down strap location. The manholes are 600mm diameter painted carbon steel covers with AS1692 listed gaskets and 20 x 2 1/4" x 5/8" bolts, nuts and washers.



FRP ATTACHED COLLAR / RISER

The F.R.P. attached collar/riser can provide a sealed catch basin to exclude ground water from the service fittings and to catch product leaking into the primary piping system. The collar is laminated to the tank at the factory, the riser is field bonded to the collar during installation. (Bonding equipment and instructions are supplied to the installer by FTS). All risers allow access to all fittings and manholes within the collar(s).

